

## SDM72-D

### Three Phase 4 Wire Electricity Meter



- Active energy (kWh)
- Pulse output
- 100A direct load
- Class 1.0 Accuracy
- 4 modular (72mm)
- 35mm Din rail mounting

## User Manual V1.3

### Application

The SDM72-D energy-meters “with a white back-lighted LCD screen for perfect reading” is used to measure three-phase energy in commercial and Industrial applications. The unit measures and displays active energy (kWh).

## PART 1 Specification

### General Specifications

Voltage AC (Un)	3x230(400)V
Voltage Range	80~120% Un
Base Current (Ib)	10A
Max. Current (Imax)	100A
Mini Current (Imin)	0.5A
Starting current	0.4% of Ib
Power consumption	<2W/10VA
Frequency	50/60Hz
AC voltage withstand	4KV for 1 minute
Impulse voltage withstand	6KV-1.2uS waveform
Overcurrent withstand	30 Imax for 0.01s
Pulse output rate	1000imp/kWh (default)
Display	LCD with backlit
Max. Reading	999999.9kWh
Active energy	Class 1 IEC62053-21 Class B EN50470-1/3

### Environment

Operating temperature	-25℃ to +55℃
Storage and transportation temperature	-40℃ to +70℃
Reference temperature	23℃ ± 2℃
Relative humidity	0 to 95%, non-condensing
Altitude	up to 2000m
Warm up time	10s
Installation category	CAT III
Mechanical Environment	M1
Electromagnetic environment	E2
Degree of pollution	2





**Mechanics**

Din rail dimensions	72x100x66 (WxHxD) DIN 43880
Mounting	DIN rail 35mm
Ingress Protection	IP51 (indoor)
Material	self-extinguishing UL94V-0

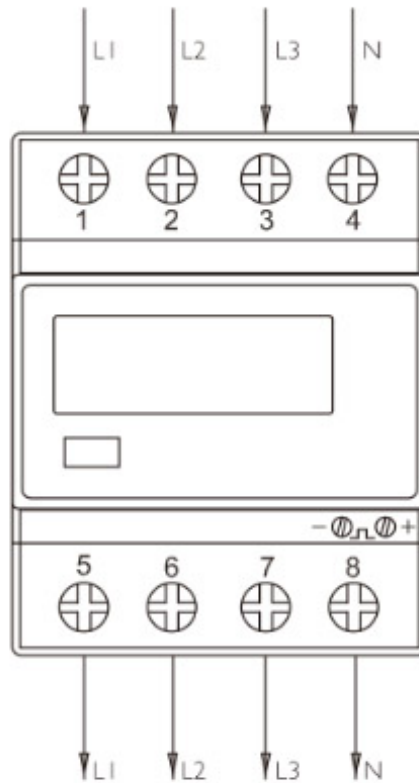
## PART 2 Operation

**Initialization Display**

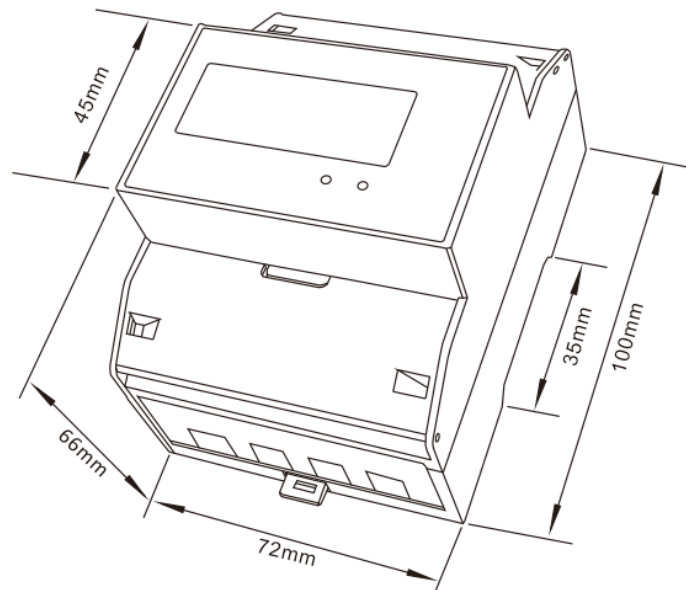
When it is powered on, the meter will initialize and do self-checking.

	Full Screen (3S)
	Software Version (2S)
	Pulse Constant (2S)
	Total Active Energy (kWh)

Wiring diagram



Dimensions



Installation

