

SDM230-D

Single-Phase Two Module DIN rail Meters



- Measure Total Energy
- One pulse output
- Din rail mounting 35mm
- 100A direct connection
- Better than Class 1 / B accuracy

User Manual V1.1

Application

The energy meters “with a white back-lighted LCD screen for perfect reading” are used to measure single-phase like residential, Utility and Industrial application.

PART 1 Specification

General Specifications

Voltage AC (Un)	230V
Voltage Range	176~276V AC
Base Current (Ib)	10A
Max. Current (Imax)	100A
Mini Current (Imin)	0.5A
Starting current	0.4% of Ib
Power consumption	<2W/10VA
Frequency	50Hz(±10%)
AC voltage withstand	4KV for 1 minute
Impulse voltage withstand	6KV-1.2uS waveform
Overcurrent withstand	30 Imax for 0.01s
Pulse output rate	1000imp/kWh
Display	LCD display
Max. Reading	999999.9 kWh

Accuracy

Active energy	Class 1 IEC62053-21
---------------	---------------------

Environment

Operating temperature	-25℃ to +55℃
Storage and transportation temperature	-40℃ to +70℃
Reference temperature	23℃ ± 2℃
Relative humidity	0 to 95%, non-condensing
Altitude	up to 2000m
Warm up time	3s
Installation category	CAT II
Mechanical Environment	M1
Electromagnetic environment	E2
Degree of pollution	2

Output

Pulse Output

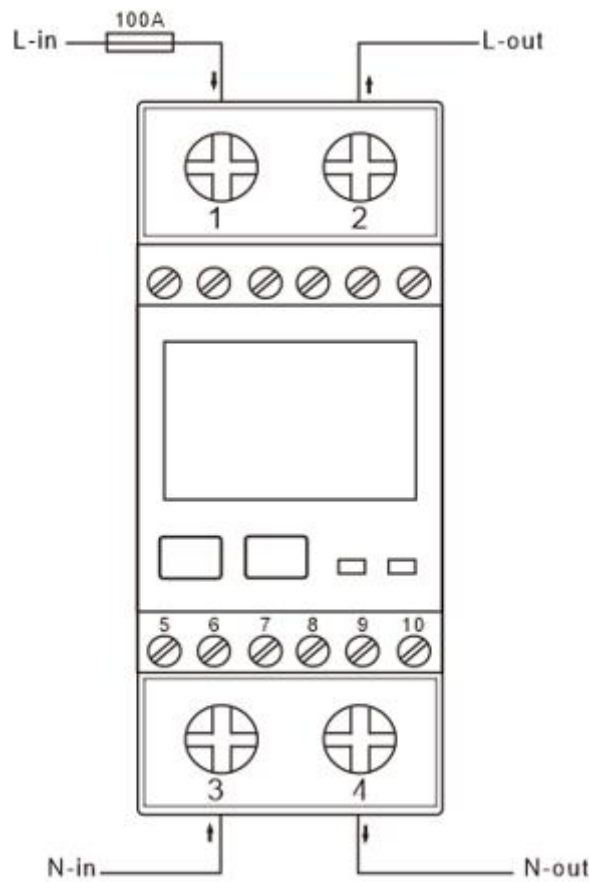
The meter provides one pulse output.

total active energy, constant 1000imp/KWh, pulse width 100ms, non-configurable

Mechanics

Din rail dimensions	36x100x63 (WxHxD) DIN 43880
Mounting	DIN rail 35mm
Ingress protection	IP51 (indoor)
Material	self-extinguishing UL94V-0

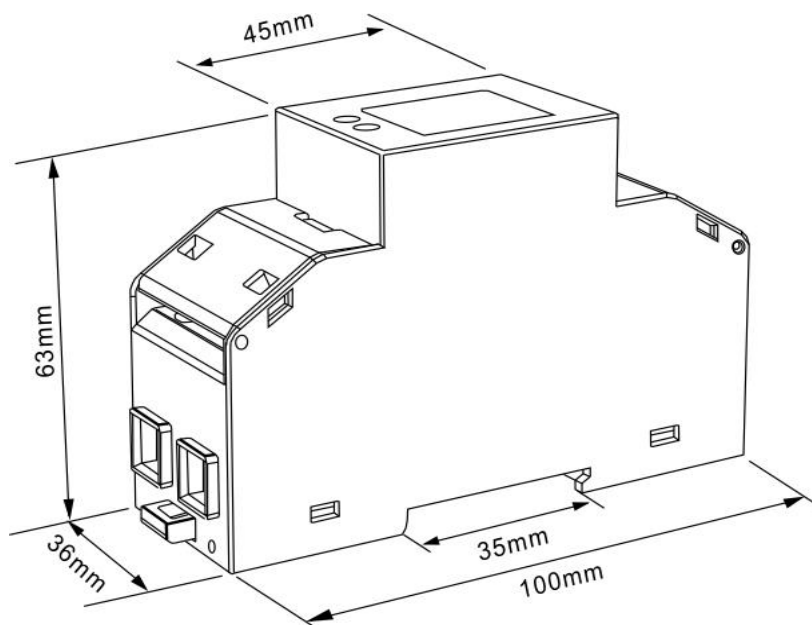
Wiring diagram



Pulse Connect : 7 +

8 -

Dimensions



Installation

