

Datasheet

- Multi-parameters measured
- 2nd~63rd individual harmonic distortion
- Support 3p4w,3p3w,1p2w system
- CT and PT connected
- RS485 Modbus communication
- Pulse output
- Multi tariffs available

The multifunction energy analyzer SMART X835 series is an intelligent panel meter, used not only in the electricity transmission and power distribution system, but also in the power consumption measurement and analysis in high voltage intelligent power grid.

The unit measures and displays the characteristics of single phase two wires, three phase three wires and three phase four wires supplies, including voltage, frequency, current, power, active and reactive energy, imported or exported, harmonic, power factor, Max. demand etc. Energy is measured in terms of kWh, kVAh. Maximum demand current can be measured over preset periods of up to 60minutes. In order to measure energy, the unit requires voltage and current inputs to power the product. The requisite current in put(s). The SMART X835 can be configured to work with a wide range of CTs. Built-in interfaces provide pulse and RS485 Modbus RTU outputs. Configuration is passwod protected.



Specification Table

Input	
Max. continuous input overload voltage	120% of nomina
Max. short duration input voltage	2 x nominal voltage for 1 second
Nominal input voltage burden	<0.2VA per phase
Nominal input current	5A
Nom. Input current burden	<0.1 VA
Max. continuous input overload current	120% of nominal
Over current withstand	20 Imax for 0.5s
Auxiliary	85-276V AC 50/60Hz or 120-380V DC
Supply burden	<2W/10VA

Accuracy	
Voltage (V)	0.5% of range maximum
Current (A)	0.5% of range maximum
Frequency (Hz)	0.2% of mid-frequency
Power factor (PF)	1% of unity (0.01)
Active power (W)	1.0% of range maximum
Reactive power (VAr)	1.0% of range maximum
Apparent power (VA)	1.0% of range maximum
Active energy (kWh)	Class 1 IEC 62053-21
Reactive energy (kVAh)	Class 2 IEC 62053-23
THD	2% to 63rd harmonic

Measured range	
Nominal input voltage	3x230/400V
Voltage (V)	15-120% of nominal
Current (A)	5-120% of nominal
Frequency (Hz)	45 - 66Hz
Power(W,VAr,VA)	5-120% of nominal (bi-directional)
Energy	8 digits, up to 9999999.9 kWh
THD	Up to 63rd harmonic

Environment	
Operating temperature	-25°C to +55°C
Storage temperature	-40°C to +70°C
Relative humidity	0 to 95%, non-condensing
Shock	30g in 3 planes
Vibration	10Hz to 50Hz, IEC 60068-2-6, 2g
Dielectric Voltage	4kV between voltage and current to earth
Altitude	2000m
Warm-up	5s

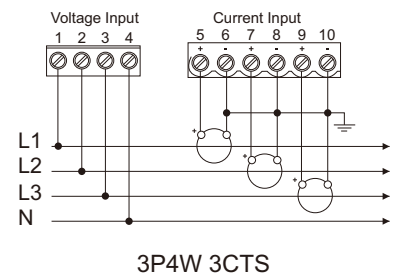
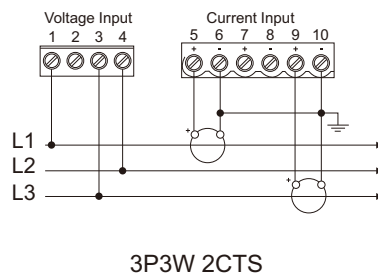
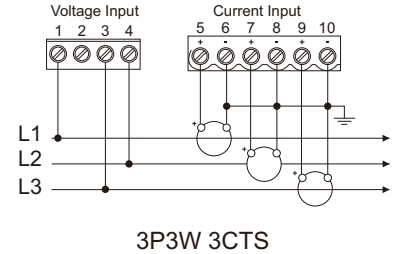
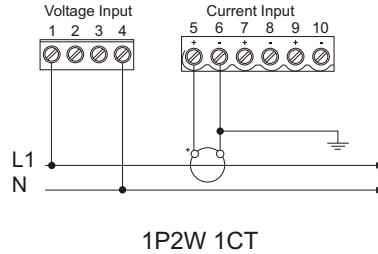
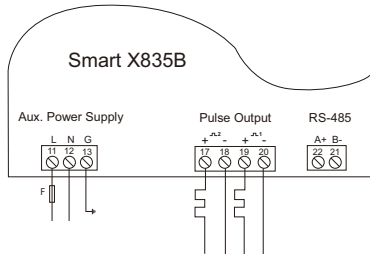
Outputs	
Pulse Width	60 / 100 / 200 ms
Pulse rate of SO 1	0.01 / 0.1 / 1 / 10 / 100 kWh/kVAh
Pulsed output of SO 2 (non-configurable)	3200IMP/kWh
Communications	Modbus RTU (RS485)
Type	2-wire half duplex
Baud rate	2400,4800, 9600, 19200, 38400bps
Address	1 to 247

Enclosure	
Enclosure Style	DIN 96 panel mount
Dimensions	96x96x72mm
Panel cut-out	92x92 (0/-0.4)mm
Panel thickness	1.5-3mm
Protection rating	IP51 (Indoor)
Material	UL 94-V0
Weight	340 g

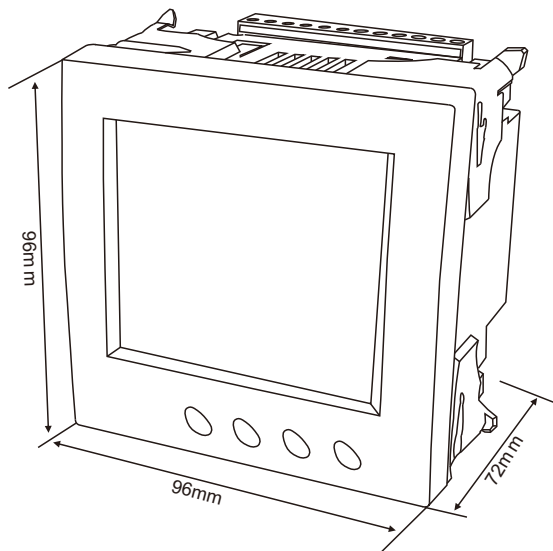
For more information on these products, please contact our sales team on 86 0573 83698881 or email sales@eastrongroup.com

www.eastrongroup.com

Wiring Configuration



Dimension Drawing



Ordering Options

Meter Type	Description of Meter
SMART X835B	Active Import/Export (kWh) 3x230/400V, 0.25-5(6)A, Transformer operated, Multifunction, RS485 Modbus RTU, Pulse output

Conformity References

Electromagnetic Compatibility: EN61326-1:2013 & EN61326-2-3:2013

Low Voltage Directive: EN 61010_1:2010+A1:2019 & EN 61010-2-30:2010